

Tubebond Series



WWW.TEESING.COM

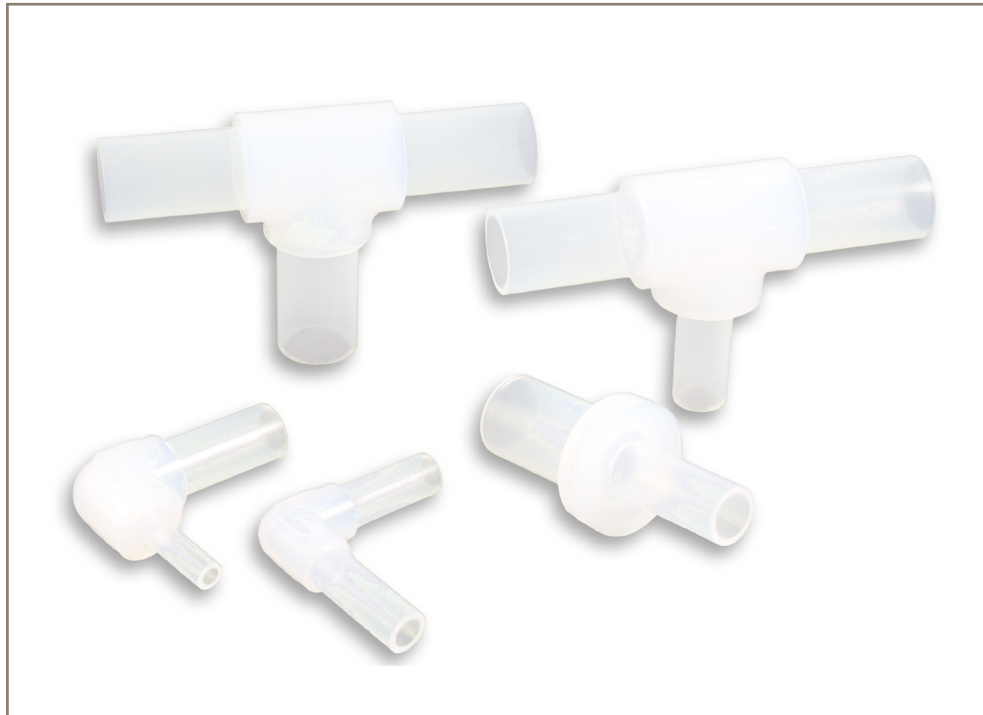
PFA Tube Fusion Bond Fittings For Use with PFA Tubing

Bonded Fittings Eliminate Leaks with High Integrity Connections:

Many customers have systems that do not require removable components and have lower pressure requirements that may not require PFA pipe. It can be advantageous to use PFA fusion bondable fittings in these cases.

These fittings can be directly welded to the PFA tubing creating a leak free connection.

Fittings are available in a variety of sizes and configurations. Fitting sizes are available from 1/4" to 1" and in elbow, tee or reducer configurations.



Product Features:

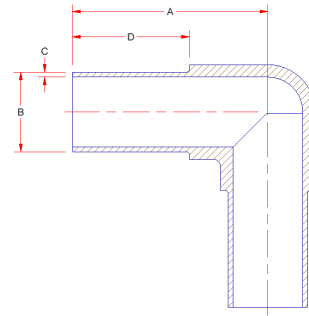
- Used for corrosive chemicals.
- Eliminates tube union leak points.
- Semiconductor grade PFA material.
- Available sizes are 1/4" to 1".
- Available in elbow, tees, reducers.
- Provides stronger tube connection than conventional fittings.

Tubebond Series

Elbow Connector, 90°

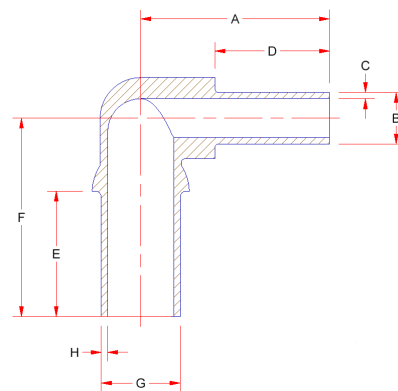


WWW.TEESING.COM



Model Number	Size	A		B		C		D	
		inch	mm	inch	mm	inch	mm	inch	mm
TE-44	1/4"	1.325	33.7	0.255	6.5	0.05	1.3	0.795	20.2
TE-66	3/8"	1.505	38.2	0.38	9.7	0.062	1.6	0.975	24.8
TE-88	1/2"	1.65	41.9	0.505	12.8	0.062	1.6	1.12	28.4
TE-1212	3/4"	1.918	48.7	0.77	19.6	0.062	1.6	1.228	31.2
TE-1616	1"	2.455	62.4	1.003	25.5	0.062	1.6	1.47	37.3

Elbow Connector Reducer, 90°



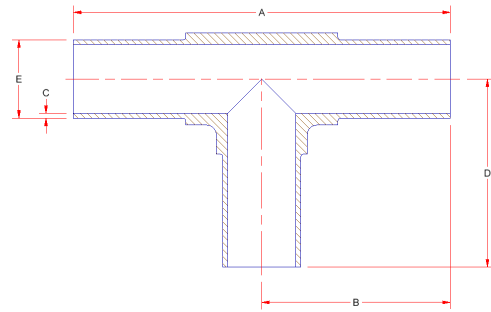
Model Number	Size	A		B		C		D		E		F		G		H	
		in	mm	in	mm	in	mm	in	mm	in	mm	in	mm	in	mm	in	mm
TER-128	3/4"x1/2"	1.94	49.3	0.77	19.6	0.062	1.6	1.228	31.2	1.12	28.4	1.845	46.9	0.505	12.8	0.062	1.6
TER-1612	1"x3/4"	2.445	62.1	1.003	25.5	0.062	1.6	1.47	37.3	1.228	31.2	2.203	55.9	0.77	19.6	0.062	1.6

Tubebond Series

Tee Connector

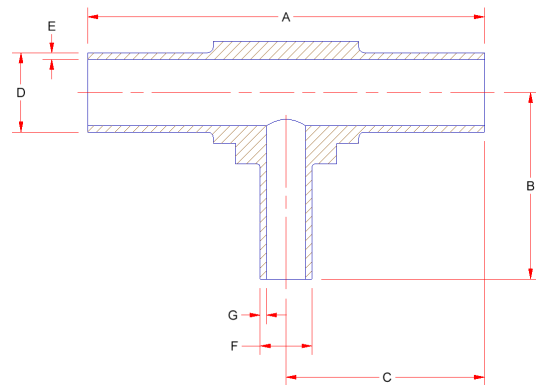


WWW.TEESING.COM



Model Number	Size	A		B		C		D		E	
		inch	mm	inch	mm	inch	mm	inch	mm	inch	mm
TT-444	1/4"	2.65	67.3	1.325	33.7	0.05	1.3	1.315	33.4	0.255	6.5
TT-666	3/8"	3	76.2	1.5	38.1	0.062	1.6	1.505	38.2	0.38	9.7
TT-888	1/2"	3.29	83.6	1.645	41.8	0.062	1.6	1.645	41.8	0.505	12.8
TT-121212	3/4"	3.87	98.6	1.935	49.1	0.062	1.6	1.923	48.8	0.77	19.6
TT-161616	1"	4.83	122.7	2.415	61.3	0.062	1.6	2.498	63.4	1	25.4

Tee Connector Reducer



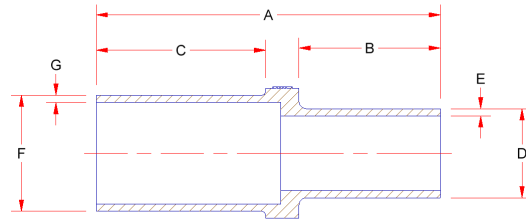
Model Number	Size	A		B		C		D		E		F		G	
		inch	mm	inch	mm	inch	mm	inch	mm	inch	mm	inch	mm	inch	mm
TTR-12128	3/4"x3/4"x1/2"	3.87	98.3	1.815	46.1	1.935	49.1	0.77	19.6	0.062	1.6	0.505	12.8	0.062	1.6
TTR-161612	1"x1"x3/4"	4.89	124.2	2.186	55.5	2.445	62.1	1.003	25.5	0.062	1.6	0.77	19.6	0.062	1.6

Tubebond Series

Reducer



WWW.TEESING.COM



Model Number	Size	A		B		C		D		E		F		G	
		inch	mm	inch	mm	inch	mm	inch	mm	inch	mm	inch	mm	inch	mm
TR-84	1/2" x 1/4"	2.205	56	0.795	20.2	1.12	28.4	0.255	6.5	0.05	1.3	0.505	12.8	0.062	1.6
TR-128	3/4" x 1/2"	2.653	67.4	1.12	28.4	1.228	31.2	0.505	12.8	0.062	1.6	0.77	19.6	0.062	1.6
TR-168	1" x 1/2"	2.88	73.2	1.12	28.4	1.47	37.3	0.505	12.8	0.062	1.6	1.003	25.5	0.062	1.6
TR-1612	1" x 3/4"	2.988	75.9	1.228	31.2	1.47	37.3	0.77	19.6	0.062	1.6	1.003	25.5	0.062	1.6